

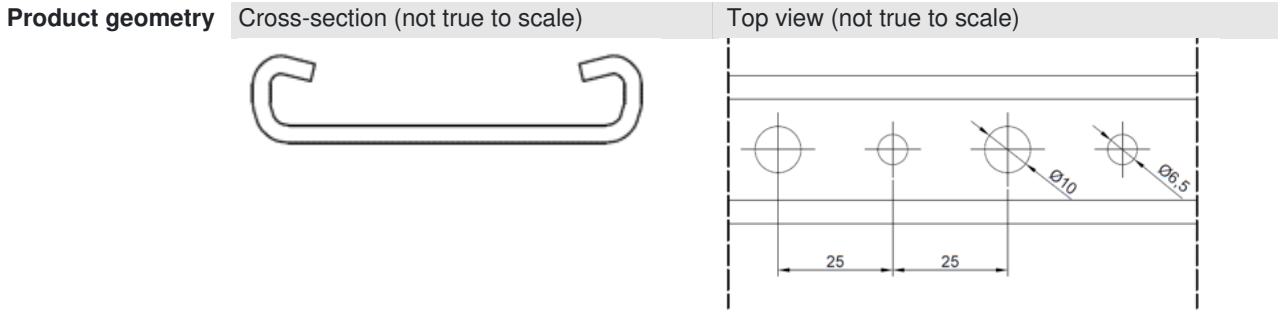
H F5180

Randschiene (Flachdachschiene)

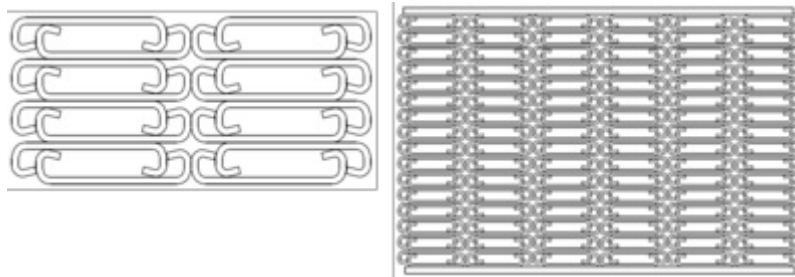
Product Galvanized clamping rail according to ÖNORM B 3692

Intended use Sealing of waterproofing membranes at walls

Packaging



Packaging Small bundle: 16 pcs. per bundle Big bundle: 192 pcs. per bundle



Characteristics	Unit	Result
Length	m	3
Width	mm	32
Height	mm	7
Bolt hole diameter	mm	10 / 6,5
Bolt hole distance	mm	25
Weight	kg/m	ca. 0,54

The declared data are indices based on the statistical quality control and refer to the date of production. Consider state of the art, standards, legal provisions and guidelines for the suitability of the mentioned field of application and application method. All specifications are without obligation. The user must assess the suitability of the product for the particular purpose and ensure the user's access to the current version of the product data sheet.

Subject to alteration without notice.

Storage conditions: The products have to be stored in original packaging, being protected from direct sun light, UV-beams and extreme conditions like heat, frost, moisture, etc. During cold season store the products in a frost-free area (+5°C) for 12 hours before application.

Development, Production and Sales of our products according to ISO 9001.